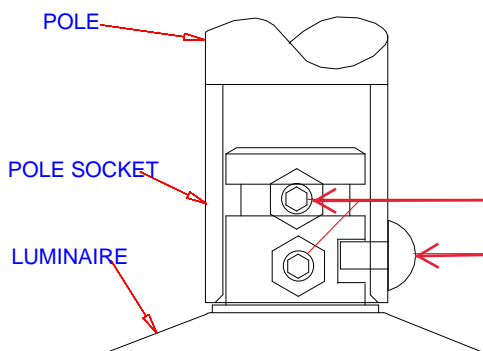


INSTALLATION INSTRUCTIONS



SECTIONAL VIEW OF LUMINAIRE FITTED INTO POLE SOCKET

1 SCREW M8 BUTTON HEAD SCREW FULLY IN. SLIDE LUMINAIRE UP INTO POLE SOCKET & ROTATE ANTI-CLOCKWISE, UNTIL IT DROPS INTO POSITION. TIGHTEN THE 6 x M10 GRUB SCREWS & LOCK NUTS.

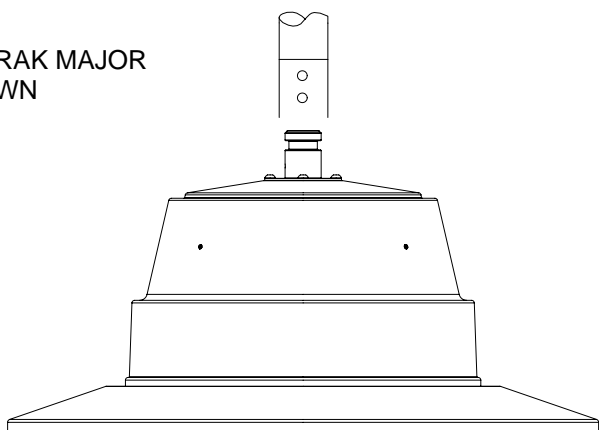
6 x M10 STAINLESS STEEL GRUB SCREWS FITTED WITH LOCK NUTS. THESE SCREWS SHALL BE TIGHTENED & FIXED IN PLACE WITH THE LOCK NUTS.

M8 STAINLESS STEEL BUTTON HEAD SCREW

2 INSTALL 10A NEMA PE CELL. (FOR REMOTE SWITCHING, INSTALL "DUMMY CELL" IN LIEU OF STANDARD NEMA CELL)

3 TURN THE 4 x THUMB SCREWS ANTI-CLOCKWISE TO RELEASE THE OPTIC PLATE (WHICH IS HELD CAPTIVE BY 2 x LANYARDS) TO ACCESS THE LUMINAIRE. NOW PULL THE SUPPLY CABLE INTO THE LUMINAIRE & FEED THROUGH THE CABLE TIE. INSTALL THE SUPPLY CABLE TO THE TERMINAL BLOCK & SECURE WITH THE CABLE TIE. RE-INSTALL THE OPTIC PLATE & TIGHTEN THE 4 x THUMB SCREWS IN A CLOCKWISE DIRECTION.

TOORAK MAJOR SHOWN



2

