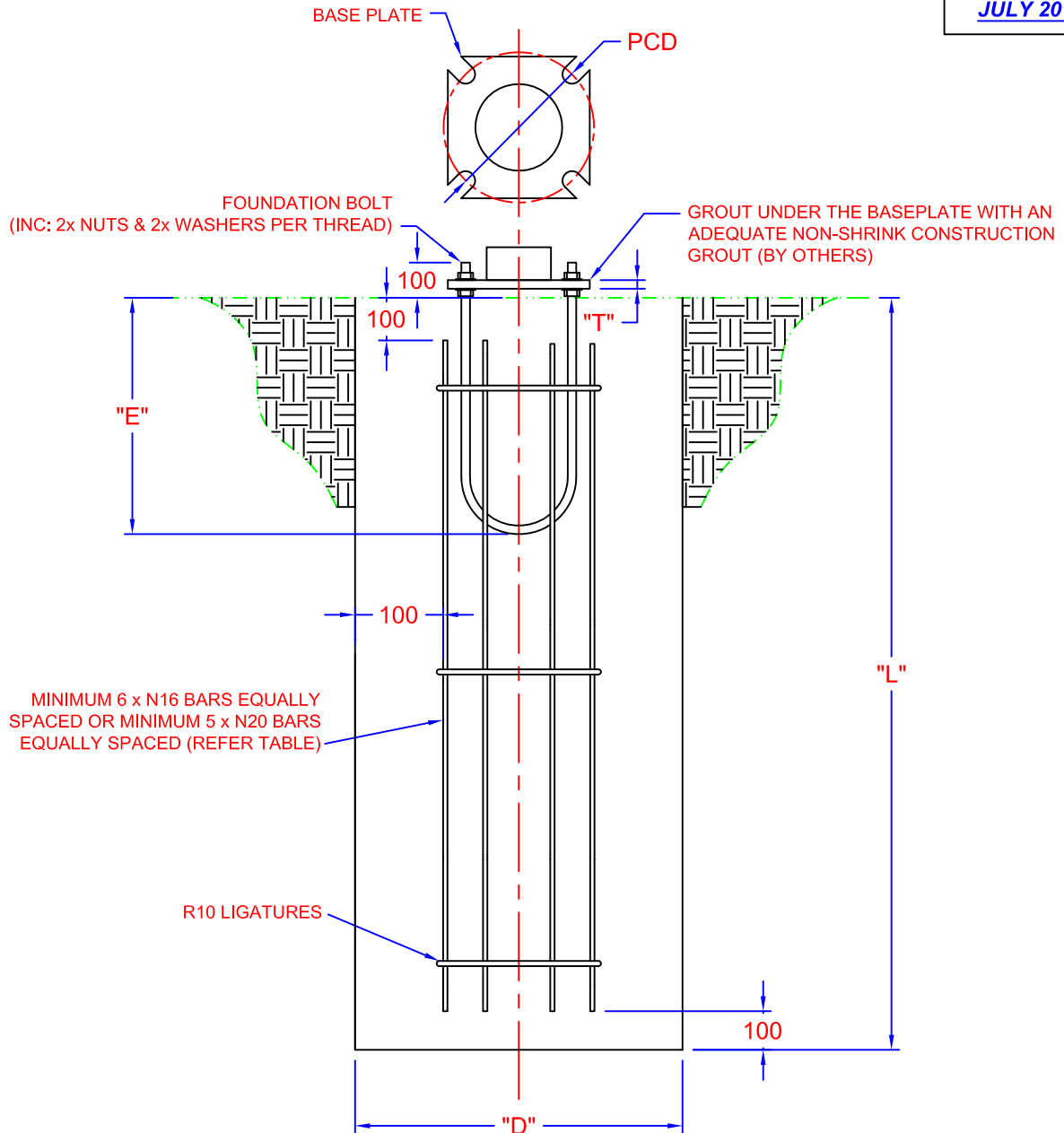


# VICPOLE DATA SHEET / INDICATIVE FOOTING DETAIL

## PIPE, RHS, OCTAGONAL & TAPERED ROUND POLES

93/801-S1

JULY 2017



| TOTAL POLE HEIGHT | FOUNDATION BOLT mm    | "T" mm | "D" mm | "L" mm | "E" mm | BARS | LIGATURES |
|-------------------|-----------------------|--------|--------|--------|--------|------|-----------|
| 4.0 METRE         | M16 x 550 x 233 P.C.D | 12     | 500    | 800    | 450    | N16  | 240C/C    |
| 5.0 METRE         | M16 x 550 x 233 P.C.D | 16     | 500    | 1000   | 450    | N16  | 240C/C    |
| 6.0 METRE         | M16 x 550 x 233 P.C.D | 16     | 500    | 1200   | 450    | N16  | 240C/C    |
| 7.0 METRE         | M20 x 550 x 350 P.C.D | 20     | 600    | 1500   | 450    | N20  | 300C/C    |
| 8.0 METRE         | M20 x 550 x 350 P.C.D | 20     | 600    | 1800   | 450    | N20  | 300C/C    |
| 9.0 METRE         | M24 x 550 x 350 P.C.D | 25     | 600    | 2000   | 450    | N20  | 300C/C    |
| 10.0 METRE        | M24 x 550 x 350 P.C.D | 25     | 600    | 2000   | 450    | N20  | 300C/C    |
| 12.0 METRE        | M24 x 550 x 350 P.C.D | 25     | 600    | 2300   | 450    | N20  | 300C/C    |

**\*IMPORTANT NOTE:** VICPOLE ACCEPTS NO RESPONSIBILITY FOR FOOTING DETAILS GIVEN. ALL FOOTING DETAILS ARE INDICATIVE ONLY. FOOTING SIZES WILL VARY ACCORDING TO A NUMBER OF FACTORS INCLUDING SOIL CONDITION, WIND LOADING AND TERRAIN CATEGORIES. IN ALL INSTANCES IT IS THE RESPONSIBILITY OF THE CONTRACTOR TO OBTAIN ENGINEERS COMPUTATIONS TO DETERMINE THE FOOTING DETAIL REQUIRED FOR EACH SITE.

**\*NOTE:** Above footing detail based on terrain Cat 2, concrete strength 32 MPA, and an allowable lateral soil bearing pressure of 50kPa per metre depth.