

TOORAK MAJOR

The **Toorak Major** is the Category V 'Main Roads' light fitting that compliments the Toorak in housing estates and Minor Road/Major Road applications.

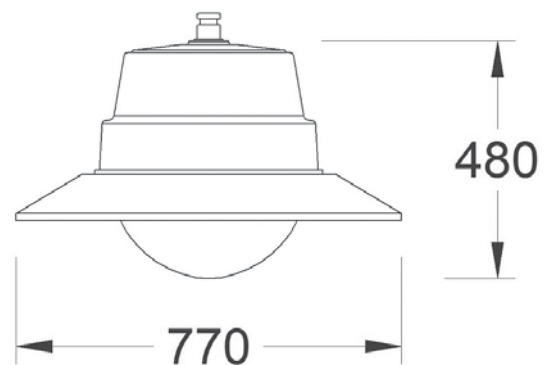
Proven in the field for many years, this distinctive heritage looking light fitting is available in High Pressure Sodium or Metal Halide for high efficiency. Engineered by Candela (UK), the **Toorak Major** has been designed specifically to exceed the requirements of AS1158.6, and the all-aluminium construction adds to its durability and performance. Featuring a sealed optic chamber, it is assured of maintaining high levels of lighting efficiency for the life of the fitting.

Available with PE Cell control, the **Toorak Major** can be ordered in 100W, 150W & 250W HPS or MH.

Available ex-stock from Vicpole – no manufacturing delay.

Features

- Exceeds the requirements of AS1158.6 Category V.
- Sealed optic system - tested to IP65 - for lighting performance longevity.
- All aluminium body construction.
- Finished in a 2-pack acrylic paint system.
- Available in 100 watt, 150 watt and 250 watt HPS or MH.
- Complete with PE Cell control.
- Weight - 12kg Sail Area - 0.199m²
- Approved for Roads use throughout Victoria and Sth Australia.
- 5 Year Warranty
- Available ex-stock from Vicpole – no manufacturing lead time.



INNOVATION · KNOWLEDGE · EXPERIENCE · UNPARALLELED DESIGN & QUALITY