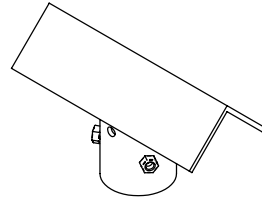
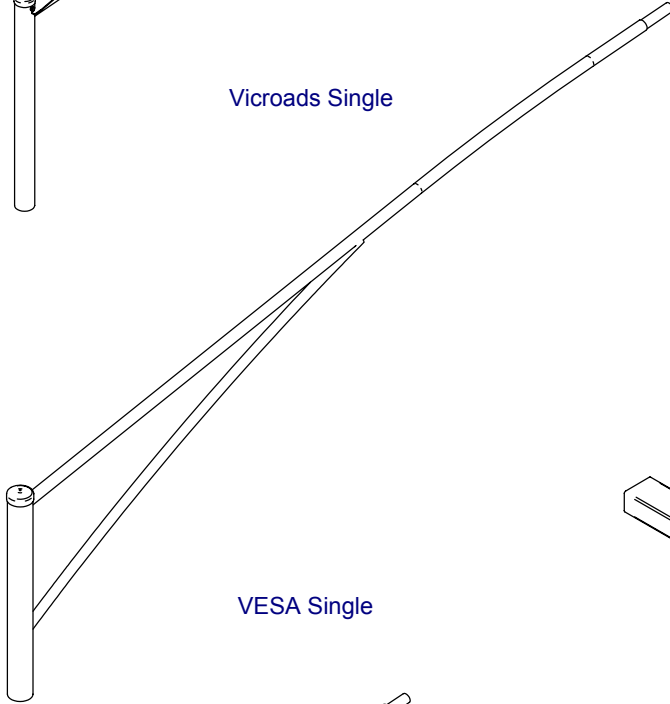


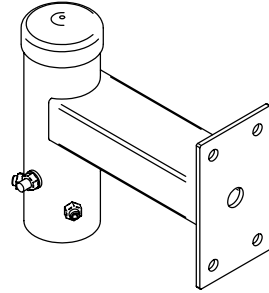
Vicroads Single



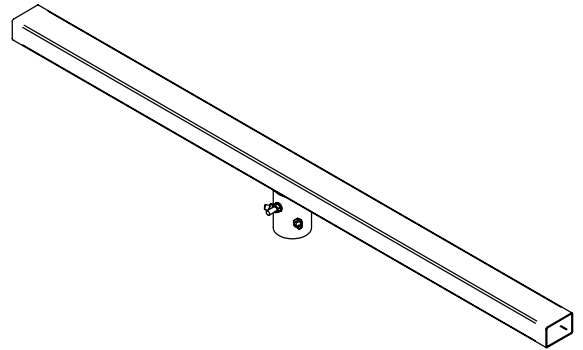
Trunion Adaptor



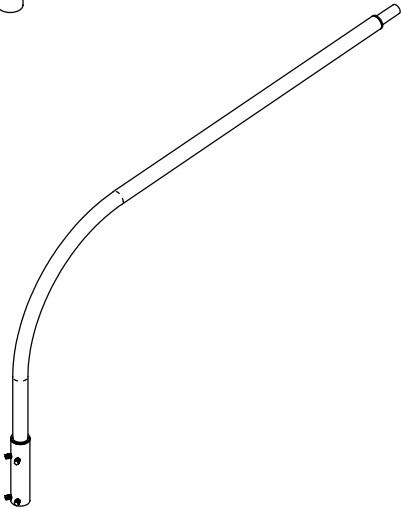
VESA Single



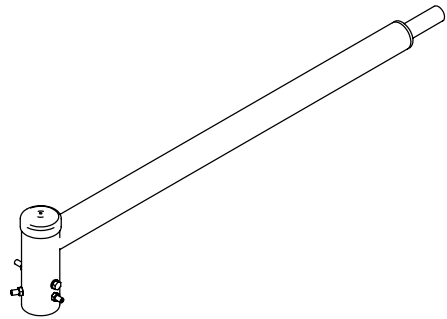
Glaremaster



Crossarm



Single Curved



Straight Single

DRAWING APPROVED BY CUSTOMER SIGNED

DATE / /

Notes

1. All dimensions shown are in mm.
2. Column design to comply with AS 1170 & as1798.
3. All welding to comply with AS 1554.
4. Galvanizing to conform to AS/NZS 4680.
5. Paint finish to AS 3887 category long term.

Title: Brackets

Color:

- 1
- 2
- 3
- 4

Client:

Job No.

Quote No.

Modified: 10/10/2003

CAD File No. Brackets

Quantity:

Date: 10/10/2003

Checked:

Project:

VICPOLE

STREETSCAPE SOLUTIONS

31 - 35 Barry St
Bayswater Vic 3158

Ph. (03) 9738 0808
FAX. (03) 9738 0707

© Copyright CONFIDENTIAL: This drawing is the property of Vicpole. No disclosure or copy of it may be made without written permission